

ZT 801 DIGITAL FLOW INDICATOR TOTALIZER

Introduction

Ztech's Digital Flow indicator totalizer model ZT801 is designed to indicate five digit flow rate & ten digit totalizer. It can accept mA or pulse/frequency input signal from any type of flow meter as a field selectable parameter. The range is selectable from 00000 to 99999 scale with selectable decimal resolution. It can generate max four relay output on flow & totalizer as per the selection. It can generate analog output as retransmission & give computer connectivity port on Modbus protocol or GSM connectivity as an optional feature. They are very reliable, accurate employing the latest technology. They undergo stringent tests to assure quality performance.

Features

Display	: Backlit Graphical LCD Graphical Display 64*128
Input	: mA(4-20mA), V(0-10V), Digital Pulse
Flow	: Linear / Square root selectable
High Accuracy	: 0.1% accuracy of Span

Electronics Parameters

Flowrate	: 5 Digit
Flow Totalizer	: 10digit Totalizer (power back up Provided by NV RAM)
Real Time Clock	: Available
Bargraph	: Corresponds to 0-100% Flowrate
Tag Id	: User Configure Id (Numeric)
Indication	: Alarm / Communication Indication

Configuration Functions/Parameters

Configuration Data	: 4 Tactile Membrane Keys for Data Configuration
Flow Totalizer Reset	: Totalizer Reset Facility
Unit	: Count/Hr, Count/min, Count/Sec Filed Selectable
Alarm	: Set point, Hysterisis
Zero /Span /Decimal	: Field Configurable

Output

Retransmission	: 4-20mA (Opto & Galvanic Isolated)
Control Alarm	: Max 4 Relay on Flow Rate
Batch Control Relay	: Max.3 Control Relay on Batching
Pulse Output (Open Collector)	: Pulse Corresponds To Totalizer Quantity
Communications	: RS 485 / RS232
Compatible with GPRS /GPS	: Yes

Special Function (Optional)

Batching Facility	: Available
Data Logging	: Internal Data Logging Function
Log Data	: Approx. 15000 Reading (Flow Data)
Data Printing	: External Data Printing Function
Security	: Password Protection for Configuration of Data

Power Supply	: 90 - 260 VAC 50/60Hz, 24VDC, 12VDC
--------------	--------------------------------------

Specification :Environmental

Ambient Temperature Range	: 0 To 55 °C
Ambient Humidity Range	: 5 To 95 % Rh (Non-Condensing)

Specification : Physical

Weight	: 500-900 Gram
Enclosure	: ABS Plastic Enclosure
Protection	:
Dimension	: As Per Table

Application

Flow Measurement



DIGITAL FLOW INDICATOR TOTALIZER
ZT801

Ordering Information

ZT801-XXXXXXXXXX (10 Digit code)

Option 1:Input Signal

- 0 – 4-20mA
- 1 – Pulse
- 2 – 0-10VDC
- 3 – User define

Option 2: Power(X)

- 0 – 90-260VAC(Default)
- 1 – 24VDC
- 2 – 12VDC
- 3 – User Define

Option 3:Digital Output(Alarm On Flow Rate)

- 0 - No relay
- 1 - One relay
- 2 - Two relay
- 3 - Four relay
- 4 - One relay on Totalizer
- 5 - Two relay on Totalizer
- 6 - Three relay on Totalizer

Option 4:Digital Output(Relay On Totalizer(Batch Controller))

- 0 - No relay
- 1 - One relay
- 2 - Two relay

Option 5:Analog Output

- 0 - None
- 1 - 4 – 20mAdc isolated
- 2 - 0-10VDC

Option 6:Communication Output

- 0 - None
- 1 – RS485 Modbus RTU
- 2 – RS232 Modbus RTU
- 3 – GPRS/GSM Connectivity

Option 7:Extra Function

- 0 – None
- 1 – Internal Data Recording Function
- 2 – Data Printing Function
- 3 – USB Output
- 4 – Pulse Output

Option 8:Dimension

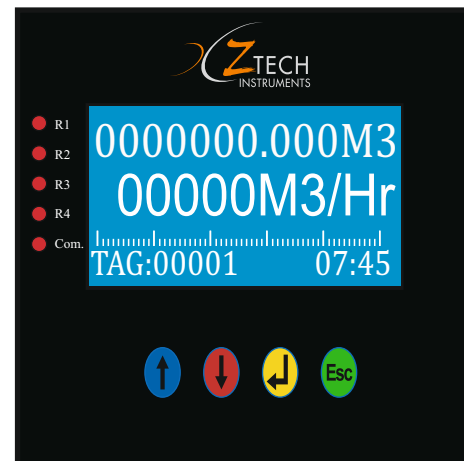
- 0 – 96mm(W) * 96mm(H)*95mm(D) Bezel Dimension
- 1 – Weather proof Sheet metal box
- 2 – Flame proof class IIA IIB with Push Button Wall Mounted(057 Drawing)
- 3 – Special Enclosure

Option 9:(X)

- 0 – None

Option 10:(X)

- 0 – None



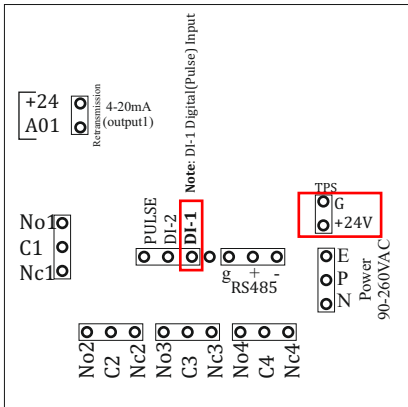
Flow Totalizer



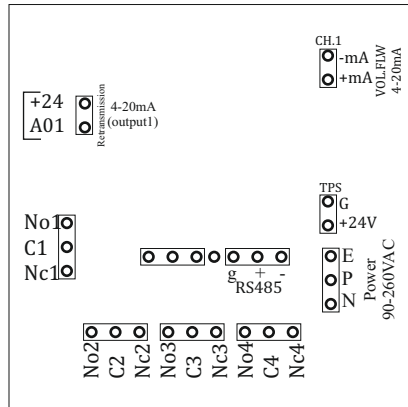
Batch Flow Totalizer

**DIGITAL FLOW INDICATOR TOTALIZER
ZT801**

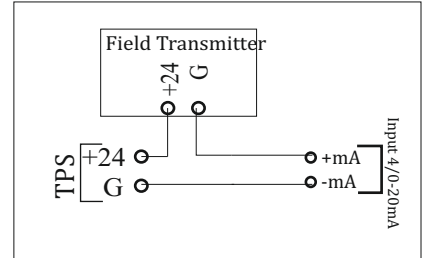
Terminal Diagram:



Terminal Diagram: Pulse Input Flow Totalizer

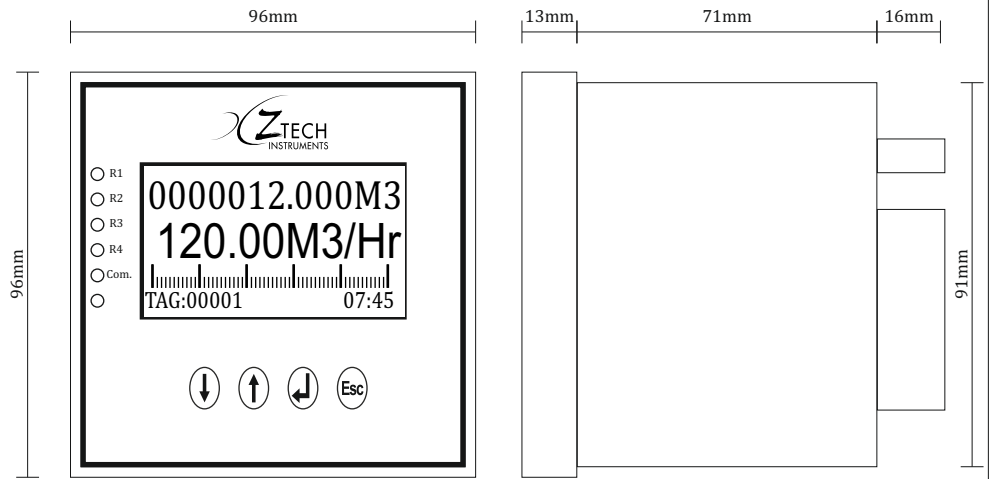


Terminal Diagram: 4-20mA Input Flow Totalizer



Connection Diagram: Two wire transmitter

Dimensions Drawing:



Ztech Control Systems,
 19/4, Dev Industrial Estate,
 B/H. Jyoti Switch Gear, Nr. Gorwa Water Tank,
 Gorwa, Baroda 390016 (Gujarat) INDIA
 Tel : 98240 28511, 93287 02212
 Email : info@ztechinstruments.net,
 ztech.instruments@yahoo.co.in
 Web : www.ztechinstruments.net