

Zt802 DIGITAL STEAM FLOW TOTALIZER

Introduction

Ztech's Digital Steam Flow indicator totalizer model ZT802 is designed to indicate five digit flow rate & ten digit totalizer. It can accept multi input signal like flow, pressure & temperature & give computed Mass flow output in Kg/hr. or Tons/hr. It can be used with orifice, vortex etc., flow transmitters. It can generate max two relay output on flow & totalizer as per the selection. It can generate two analog outputs as retransmission & also give computer connectivity port on Modbus protocol or GSM connectivity as an optional feature. They are very reliable, accurate employing the latest technology. They undergo stringent tests to assure quality performance.

Features

Display	: Backlit Graphical LCD Graphical Display 64*128
Input	: 4-20mA,0-10VDC (Level),PT100
Steam	: Saturated / Superheated Steam
Flow	: Linear /Square root
High Accuracy	: 0.15% accuracy of FS
Security	: Password Protection for Configuration of Data
Power Supply	: 90 - 260 VAC 50/60Hz,24VDC,12VDC
Ambient Temperature Range	: 0 To 55 °C
Ambient Humidity Range	: 5 To 95 % Rh (Non-Condensing)
Weight	: 500-900 Gram
Enclosure	: ABS Plastic Enclosure
Protection	: IP65
Dimension	: 96mm(W) * 96mm(H)*95mm(D)

Electronics Parameters

Vol Flow rate	: 5 Digit (m3/Hr)
Mass Flow	: 5 Digit (Kg/Hr ,TPH)
Flow Totalizer	: 10digit Totalizer (Kg, T) (power back up Provided by NV RAM)
Temperature	: 4 Digit (0.0 to 400.0 C)
Pressure	: 0.00 to 99.99 Kg/cm2 G
Specific Volume	: m3/Kg
Bargraph	: Corresponds to 0-100% Flowrate
Tag Id	: User Configure Id (Numeric)
Indication	: Alarm / Communication Indication

Configuration Functions/Parameters

Configuration Data	: 4 Tactile Membrane Keys for Data Configuration
Flow Totalizer Reset	: Totalizer Reset Facility
Unit	: Field Selectable
Alarm	: Set point, Hysteresis
Zero /Span /Decimal	: Field Configurable
Steam type	: Field Configurable

Output

Retransmission	: 4-20mA (Opto & Galvanic Isolated)
Control Alarm	: Flow Rate, Temperature, Pressure, Vol. FLOWl
Communications	: RS 485 / RS232
Compatible with GPRS /GPS	: Yes

Application

Steam Measurement
Compatible to Orifice System
Compatible to Vortex meter



Digital Steam Flow Totalizer
ZT802

Ordering Information

ZT802-XXXXXXXXXX (10 Digit code)

Option 1:Input Signal

0 – 3 Input (4-20mA for Flow, Pressure, RTD for Temperature)
1 – User define

Option 2: Power(X)

0 – 90-260VAC(Default)
1 – 24VDC
2 – 12VDC
3 – User Define

Option 3:Digital Output

0 - None
1 - 2 relay
2 - 4 relay

Option 4:Analog Output

0 - None
1 - 4 – 20mAdc isolated
2 - 0-10VDC

Option 5:Communication Output

0 - None
1 – RS485 Modbus RTU
2 – RS232 Modbus RTU
3 – GPRS/GSM Connectivity

Option 6:Dimension

0 – 96mm(W) * 96mm(H)*95mm(D) Bezel Dimension
1 – Weather proof Sheet metal box
2 – Flame proof class IIA IIB with Push Button Wall Mounted(057 Drawing)
3 – Special Enclosure

Option 7:(X)

0 – None

Option 8:Dimension

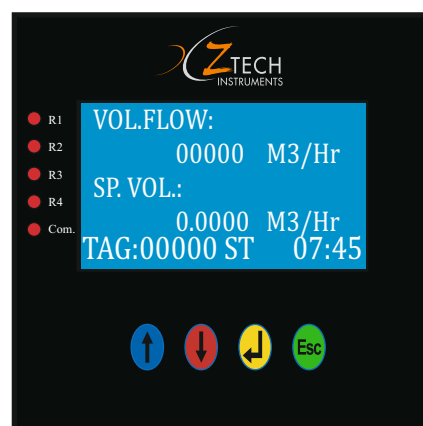
0 – None

Option 9:(X)

0 – None

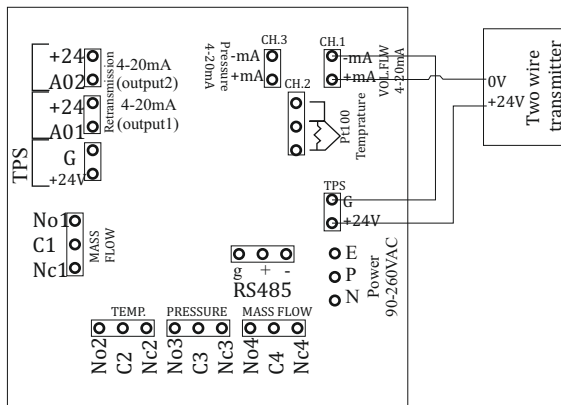
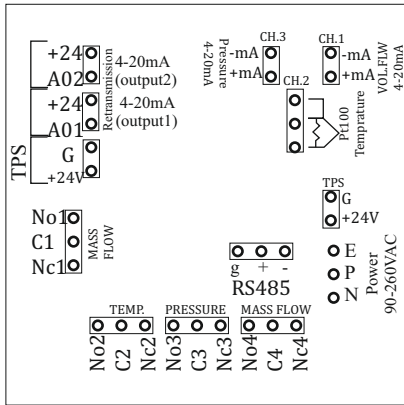
Option 10:(X)

0 – None



Digital Steam Flow Totalizer
ZT802

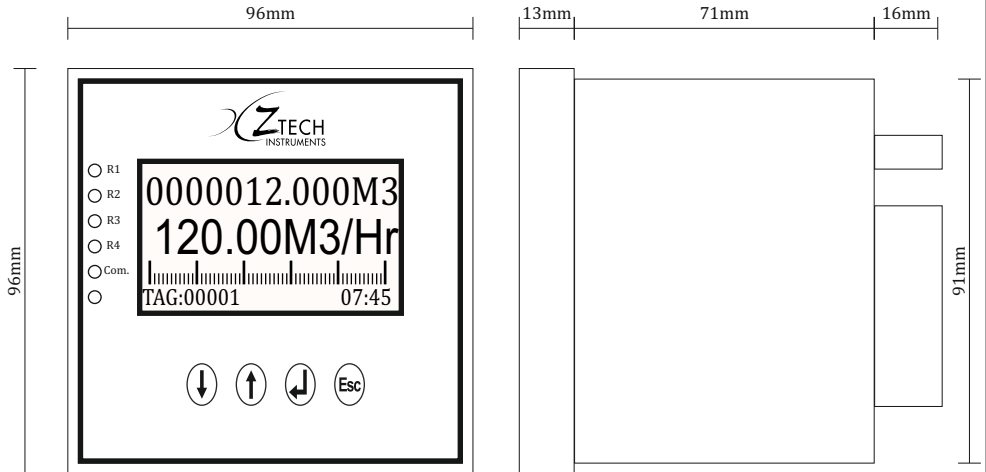
Terminal Details



Connection diagrams for transmitter (Vol.flow/ pressure)

Note: same termination for pressure input

Dimensions Drawing:



Ztech Control Systems,
19/4, Dev Industrial Estate,
B/H. Jyoti Switch Gear, Nr. Gorwa Water Tank,
Gorwa, Baroda 390016 (Gujarat) INDIA
Tel : 98240 28511, 93287 02212
Email : info@ztechinstruments.net,
ztech.instruments@yahoo.co.in
Web : www.ztechinstruments.net