

ZT805 pH/ORP ANALYZER

Introduction

Ztech pH /ORP Analyzer continuously measures pH or ORP in industrial processes including chemical, pharmaceutical, petrochemical, pulp and paper, and wastewater and compensate with live temperature. pH /ORP Analyzer having Graphical display with easy-to-read pH/ORP, Temperature, RTC, Tag no., Unit.It's design compatible to Compatible with GSM/GPRS System .It's available in BNC connector compatible to all variety of pH/ORP Electrode

Features

Display	: Backlit Graphical LCD Graphical Display 64*128
Input	: pH Electrode,ORP Electrode, Temperature
High Accuracy	: 0.5% accuracy of FS
Electrode Connection	: BNC Connector
Security	: Password Protection for Configuration of Data
Power Supply	: 90 - 260 VAC 50/60Hz,24VDC,12VDC
Ambient Temperature Range	: 0 To 55 °C
Ambient Humidity Range	: 5 To 95 % Rh (Non-Condensing)
Weight	: 500-900 Gram
Enclosure	: ABS Plastic Enclosure
Protection	: IP65
Dimension	: 96mm(W) * 96mm(H)*95mm(D)

Electronics Parameters

pH / ORP	: 4/5 Digit
Temperature	: 4 Digit
Real Time Clock	: Available
Tag Id	: User Configure Id (Numeric)
Indication	: Alarm / Communication Indication

Output

Retransmission	: 4-20mA (Opto & Galvanic Isolated)
pH/ORP Alarm	: Max 2 Relay
Temperature	: Max 2 Relay
Communications	: RS 485 / RS232
Compatible with GPRS /GPS	: Yes

Features

Graphical display with easy-to-read pH/ORP, Temperature, RTC, Tag no., Unit
For better Accuracy 3 point calibration
Auto Compensation to Temperature
Compatible to all pH Electrode
Force manual temperature in case of temperature sensor fail
Alarm for pH/ORP/Temperature
Compatible with GSM/GPRS System

Applications

Process Industries ETP Plant
Chemical
Pharmaceutical
Pulp and Paper
Wastewater



pH/ORP Analyzer

ZT805

Ordering Information

ZT805-XXXXXXXXXX (10 Digit code)

Option 1:Input Signal

- 0 – pH
- 1 – ORP

Option 2: Power(X)

- 0 – 90-260VAC(Default)
- 1 – 24VDC
- 2 – 12VDC
- 3 – User Define

Option 3:Digital Output

- 0 - None
- 1 - 2 relay (pH)
- 2 - 4 relay (2 on pH,2 on Temp)
- 3 – User Define

Option 4: pH Electrode

- 0 - None
- 1 – Standard 0-70 Degree.
- 2 – Standard 0-120 Degree.
- 3- Special Type

Option 5:Analog Output

- 0 - None
- 1 - 4 – 20mAdc isolated
- 2 - 0-10VDC

Option 6:Communication Output

- 0 - None
- 1 – RS485 Modbus RTU
- 2 – RS232 Modbus RTU
- 3 – GPRS/GSM Connectivity

Option 7:Extra Function

- 0 – None
- 1- User Define

Option 8:Dimension

- 0 – 96mm(W) * 96mm(H)*95mm(D) Bezel Dimension
- 1 – Weather proof Sheet metal box
- 2 – Flame proof class IIA IIB with Push Button Wall Mounted(057 Drawing)
- 3 – Special Enclosure

Option 9:(X)

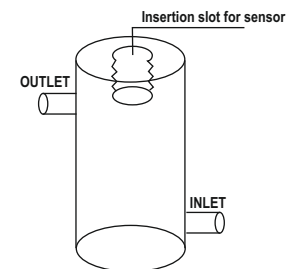
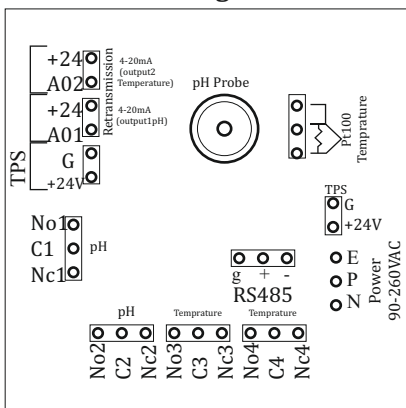
- 0 – None

Option 10:(X)

- 0 – None
-

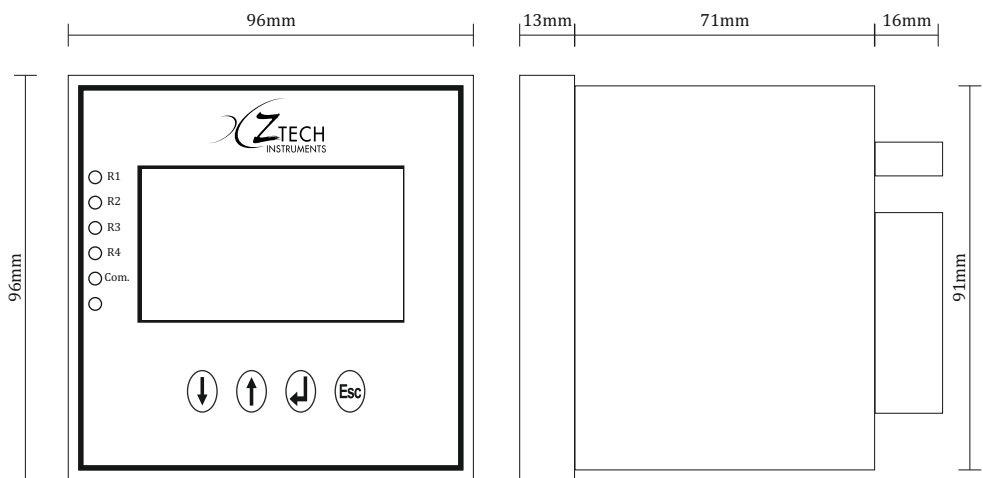
**pH/ORP Analyzer
ZT805**

Terminal Drawing:



Electrode Assembly

Dimensions Drawing:



Ztech Control Systems,
 19/4, Dev Industrial Estate,
 B/H. Jyoti Switch Gear, Nr. Gorwa Water Tank,
 Gorwa, Baroda 390016 (Gujarat) INDIA
 Tel : 98240 28511, 93287 02212
 Email : info@ztechinstruments.net,
 ztech.instruments@yahoo.co.in
 Web : www.ztechinstruments.net