

ZT507-SINGLE SET POINT DUAL DISPLAY INDICATOR, CONTROLLER

Introduction

Ztech's Digital Universal process indicator model ZT507 is designed to indicate process parameters like temperature, level, flow, pressure etc with 1 Alarm Set Point . It can display the process value /set point value with the resolution of 4 digits. The range is selectable from -1999 to 9999 scale with selectable decimal resolution.

It can generate max four relay output (on/off) per Channel for various application with hi/lo selection.

The hysteresis is programmable through out the range. It can generate analog output as retransmission & give computer connectivity port on Modbus protocol or GSM connectivity as an optional feature. They are very reliable, accurate employing the latest technology.

Features

Input	: Universal inputs(1 Channel) Linear Input :(0-10VDC, 0-1VDC,0-100mV),Current(0-20mA,4-20mA) Non Linear Input: Thermocouple types, E, J, K, L, N, R, S, and T Non Linear input: Resistance thermometer: Pt100, CU53, And P46
Display	: 0.56"(12mm) Super Bright Red LED Display (4 Digit)
Display Range	: Linear Input:-1999 to 9999 For RTD: -50.0 to 600.0 For Thermocouple J (-175 to 730 Degree),K (-250 to 1300 Degree) R (0 to 1800 Degree),S (0 to 1800 Degree) T (-200 to 400 Degree),N (-200 to 1300 Degree) B (0 to 1800 Degree),E (-200 to 1000 Degree)
High Accuracy	: 0.1% of Span (Linear),0.25% of Span(Non Linear)

Configuration Functions/Parameters

Configuration Data	: 4 Tactile Membrane Keys for Data Configuration
Indication	: Alarm /Communication Indication
Message	: Error Message

Output

Retransmission	: 4-20mA (Opto & Galvanic Isolated) (600 Ohms Loading Capacity) 0-10V DC(Opto & Galvanic Isolated)
Control Alarm Relay	: Max 2 Relay / Channel (5A/230VAC)
Communications	: RS 485
Compatible with GPRS /GPS	: Yes

Special Function (Optional)

- Universal input
- Field Calibration not require for change to other input
- Alarm output Hi/Lo, fail safe, with programmable hysteresis.
- All calibration/configuration can be done from front keys
- PC/GSM connectivity with SCADA software.
- Input sensor fail output upscale/downscale user define from front keys.
- Input Signal Filter Option
- Alarm Acknowledgment Function
- No Calibration require for different types of input in case of Universal Input
- Input /Output:4-20mA/20-4mA (Selectable) (Optional)
- Input: Linear /Square root Selectable (Optional)
- Damping Count (Optional)
- Time Delay for Alarm Activation(Optional)
- Alarm Reset/Acknowledgement(Optional)



**SINGLE SET POINT DUAL DISPLAY INDICATOR, CONTROLLER
ZT507**

Specification :Environmental

Ambient Temperature Range : 0 To 55 °C (For Integral Flow Meter)
Ambient Humidity Range : 5 To 95 % Rh (Non-Condensing)

Security : Password Protection for Configuration of Data

Power Supply : 90 - 260 VAC 50/60Hz,24VDC,12VDC

Specification : Physical

Weight : 500 to 900 gms.
Enclosure : ABS plastic molded, Weather / Flame Proof
Protection :
Dimension : 96(H)*96(W)110(D)
Mounting : Panel, Wall ,Pipe

Application

Pressure/ Level/ Flow Monitoring
Pharmaceutical Application
Power Industries
Cement Industries
Temperature & process indication
Plastics moldings& temperature monitoring
Heat treatment - furnace temperature monitoring
Water heating boilers

**SINGLE SET POINT DUAL DISPLAY INDICATOR, CONTROLLER
ZT507**

Ordering Code

ZT507-XX X X X X X X X X (10 Digit Code)

Option 1:Input Signal Channel-1

0 - Universal (0/4 – 20mAdc, mV, V, Cu53, Pt.100),Tc
1 – Fix RTD
2 – Fix 4-20mA
3 – Fix 0-10VDC
4 – Fix Thermocouple
5 – Fix mV input
6 – Fix Voltage input
7 – User Define

Option 2:

0- none

Option 3:Power(X)

0 – 90 to 260 VAC
1 – 24 VDC
2 – User Define

Option 4:Digital Output

0 - No relay
1 - One relay
2 - Two relay
3 - Three relay
4 - Four relay

Option 5:Analog Output

0 - None
1 - 4 – 20mAdc isolated (Single O/P)
2 - 4 – 20mAdc isolated (Dual O/P)
3 - 0-10Vdc isolated (Single O/P)
4 - 0-10Vdc isolated (Dual O/P)

Option 6:Communication Output

0 - None
1 – RS485 Modbus RTU
2 – GPRS/GSM Connectivity

Option 7:Display Size

0 – 0.56"Seven Segment Digit(Normal Display)
1 – 0.8" Seven Segment Digit
2 – 1.8" Seven Segment Display
3 – 2.3" Seven Segment Display
4 – 4.0" Seven Segment Display
5 – 6.0" Seven Segment Display
6 – 8.0" Seven Segment Display
7 – 4.0" Outdoor LED Display
8 – 6.0" Outdoor LED Display
9 – User Define Indoor/Outdoor LED/Seven segment Display

Option 8:Dimension

0 – 96(W) * 96(H) * 95(D)mm
1 – Weather proof Sheet metal box
2 – Flame proof class IIA IIB without Push Button 2" Pipe Mounted(054 Drawing)
3 – Flame proof class IIA IIB with Push Button Wall Mounted(061 Drawing)
4 – Flame proof class IIA IIB without Push Button 2" Pipe Mounted
5 – Flame proof class IIA IIB Wall Mounted
6 – Special Enclosure

Option 9:(X)

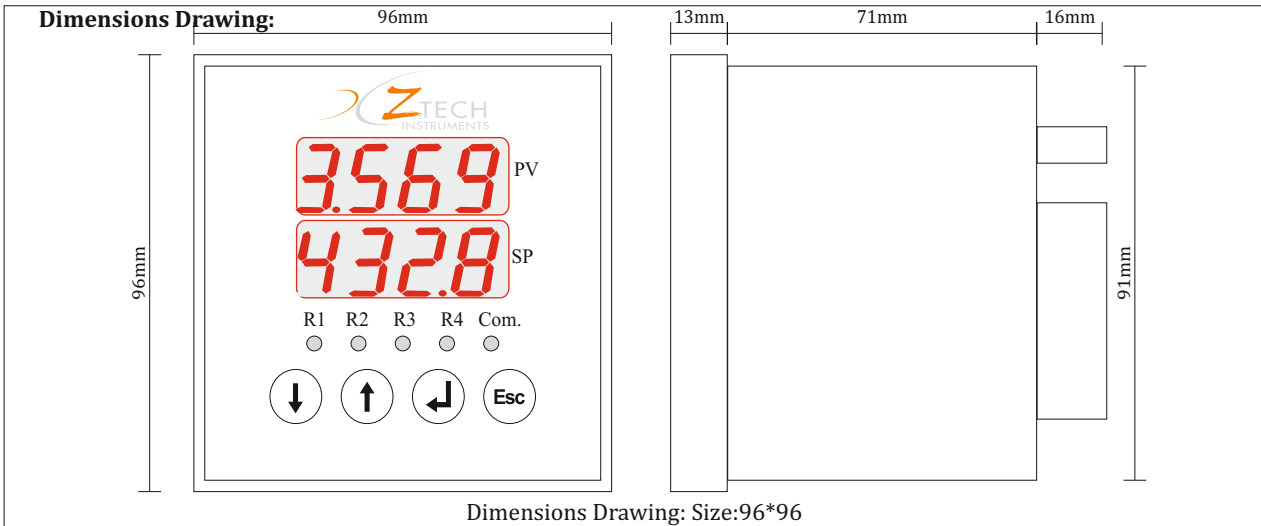
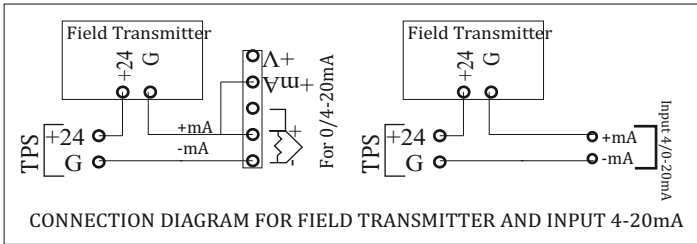
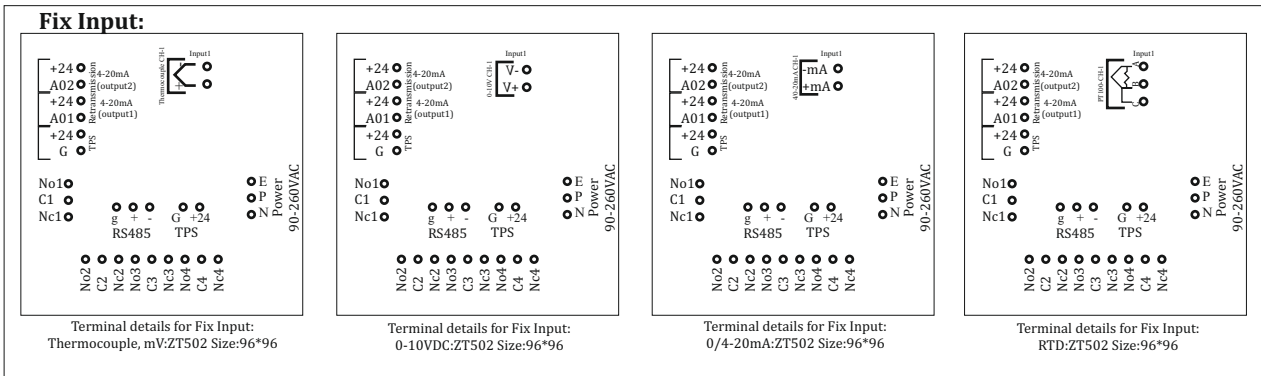
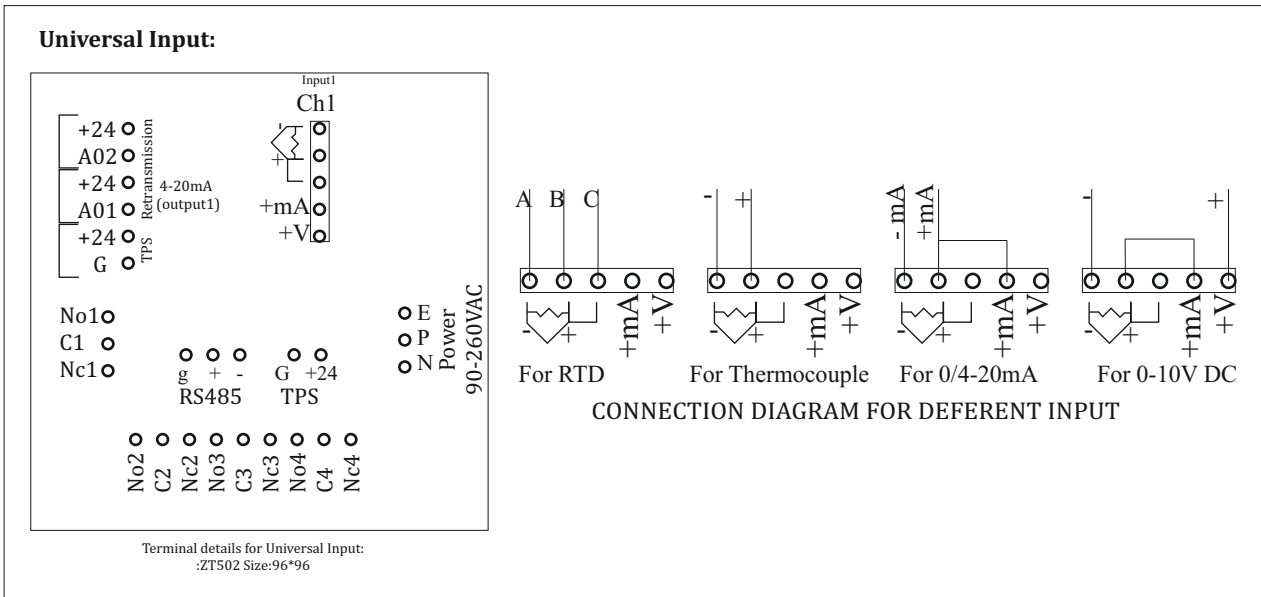
0 – None

Option 10:(X)

0 – None

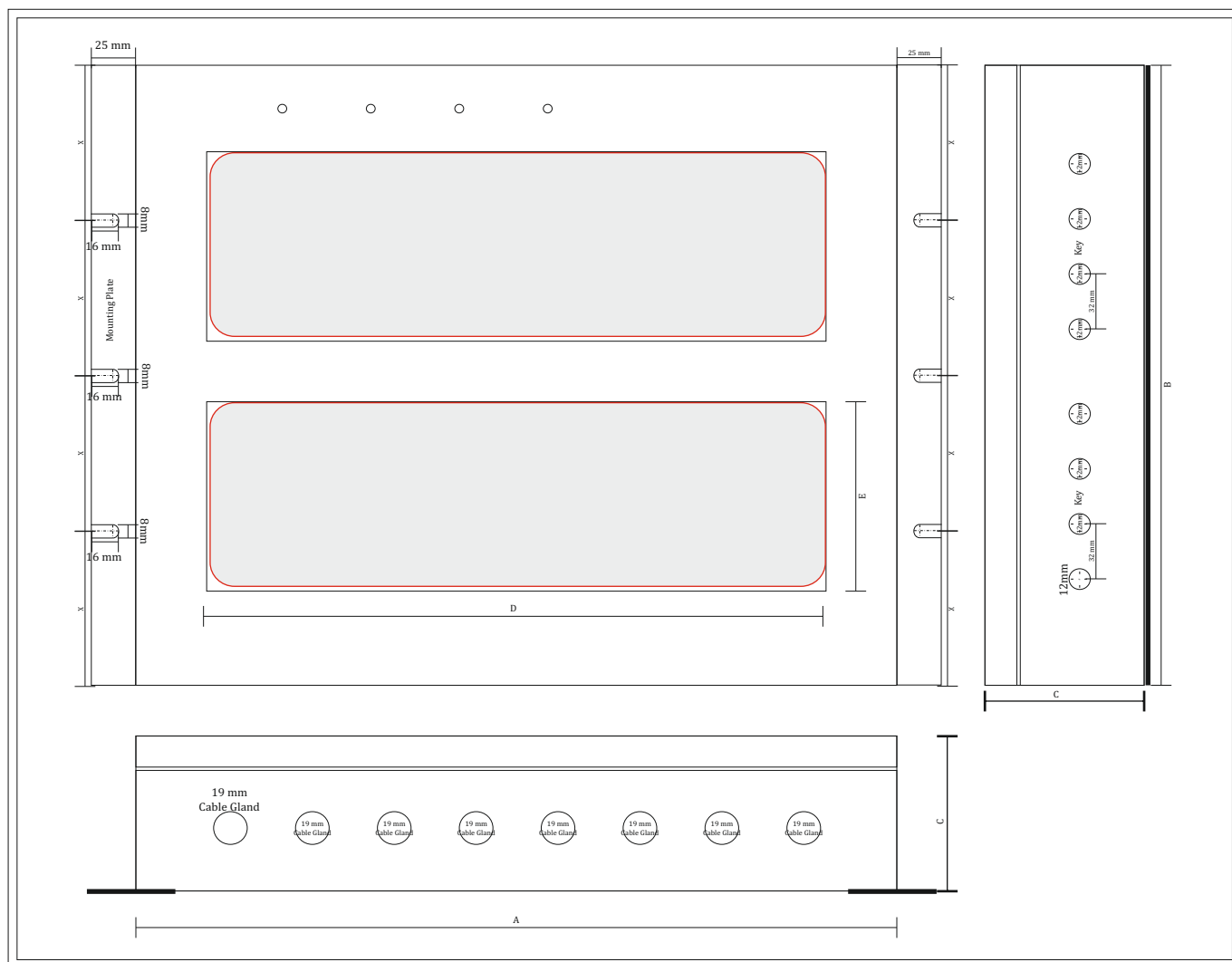
**SINGLE SET POINT DUAL DISPLAY INDICATOR, CONTROLLER
ZT507**

Terminal Details:



**SINGLE SET POINT DUAL DISPLAY INDICATOR, CONTROLLER
ZT507**

Metal Plate Jumbo Display Dimensions



Digit Size	A(mm)	B(mm)	C(mm)	D(mm)	E(mm)
1.8"(4-Digit)	225	260	90	150	50
1.8"(5-Digit)	265	260	90	190	50
2.3"(4-Digit)	265	280	90	195	65
2.3"(5-Digit)	310	280	90	242	65
4"(4-Digit)	430	360	90	350	110
4"(5-Digit)	520	360	90	440	110
6"(4-Digit)	520		90	440	160
6"(5-Digit)	630		90	550	160
6"(5-Digit)LED	675		125	635	160

Note: All Dimension are in mm
Error: +/-5mm

Ztech Control Systems,
19/4, Dev Industrial Estate,
B/H. Jyoti Switch Gear, Nr. Gorwa Water Tank,
Gorwa, Baroda 390016 (Gujarat) INDIA
Tel : 98240 28511, 93287 02212
Email : info@ztechinstruments.net,
ztech.instruments@yahoo.co.in
Web : www.ztechinstruments.net