

## ZT513 MANUAL LOADER

### Introduction

Ztech's Digital Manual Loader is designed to indicate & give 4-20mADC or 0-10Vdc output as per the process requirement for various applications. It can display the process value with the resolution of maximum 5 digits. The display range is selectable from -1999 to 99999 scales with selectable decimal resolution. It can generate analog output as mA or Voltage. They are very reliable, accurate employing the latest technology. They undergo stringent tests to assure quality performance.

### Features

Display	: 0.56"(12mm) Super Bright Red LED Display
Display Range	: -1999 to 99999
High Accuracy	: +/- 0.15%
Configuration Data	: 4 Tactile Membrane Keys for Data Configuration
Output	: 4-20mA (Opto & Galvanic Isolated)(600 Ohms Loading Capacity), : 0-10V DC(Opto & Galvanic Isolated)

### Special Function (Optional)

All calibration/configuration can be done from front keys

5 digit display range

Output: 4-20mADC & 0-10Vdc predefined

Features: Linear Ramp up/down, Step up/down & Short key for direct 4 & 20mADC.

### Specification :Environmental

Ambient Temperature Range : 0 To 55 °C (For Integral Flow Meter)

Ambient Humidity Range : 5 To 95 % Rh (Non-Condensing)

**Security** : Password Protection for Configuration of Data

**Power Supply** : 90 - 260 VAC 50/60Hz,24VDC,12VDC

### Specification : Physical

Weight : 500 to 900 gms.

Enclosure : ABS plastic molded, Weather / Flame Proof

Protection : As per Product Order Option6

Dimension : As per Product Order Option6

Mounting : Panel, Wall ,Pipe

### Application

Calibration

Control Valve operation

Remote set point generation for PID.



**MANUAL LOADER  
ZT513**

---

**Ordering Code**

ZT513-XXXXXX (6 Digit Code)

**Option 1:Input Signal**

0 - None

**Option 2:Power**

0 – 90 to 260 VAC  
1 – 24 VDC  
2 – User Define

**Option 3:Digital Output**

0 -None

**Option 4:Analog Output**

0 - 4 – 20mAdc isolated  
1 - 0-10Vdc isolated

**Option 5:Communication Output**

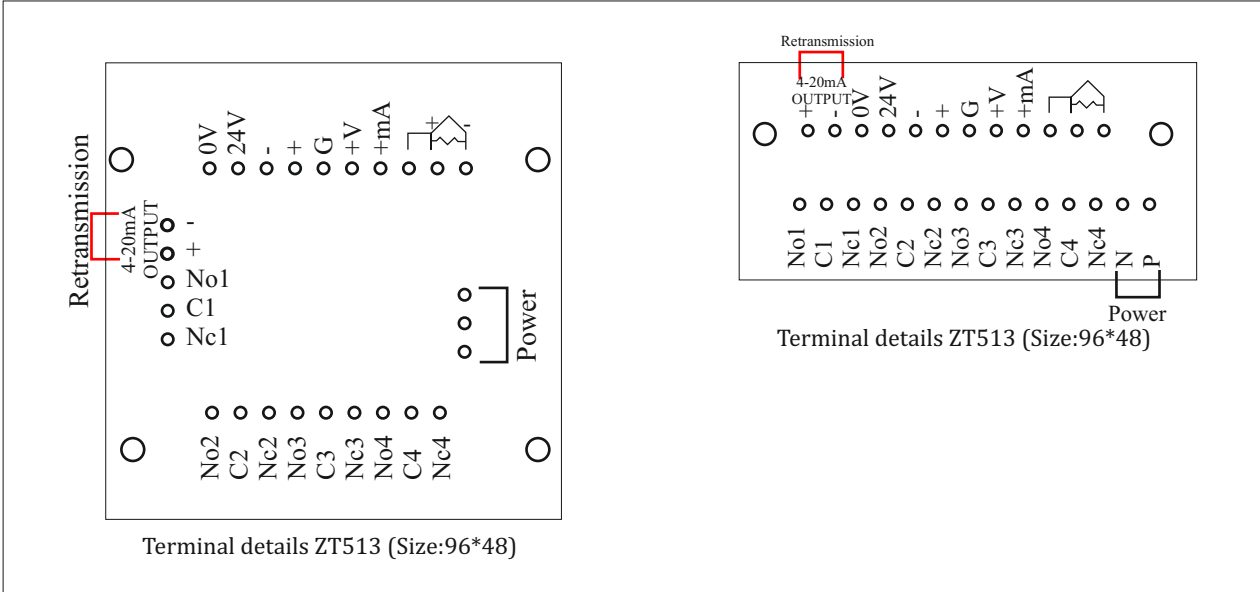
0 - None

**Option 6:Dimension**

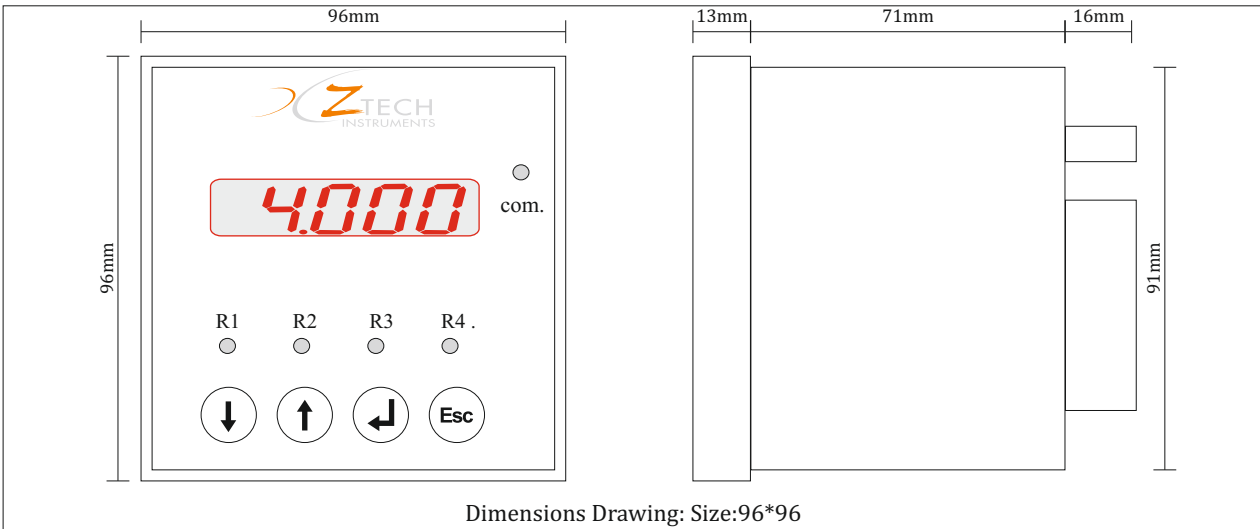
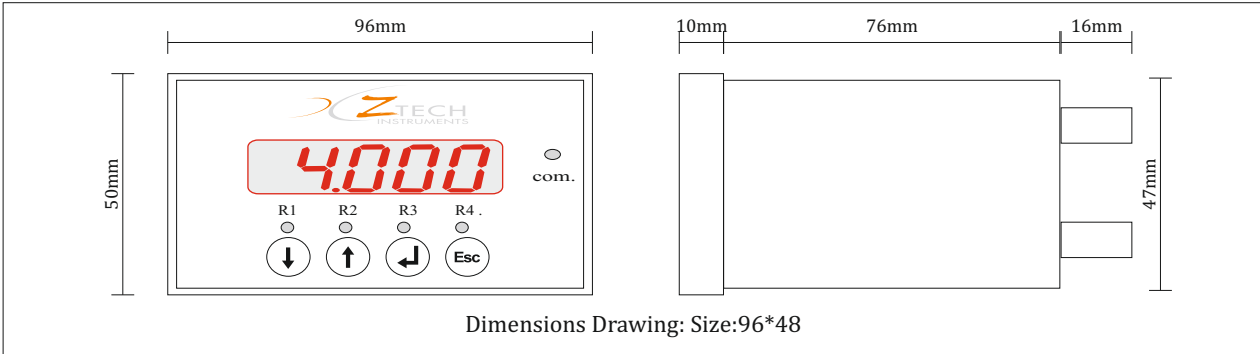
0 – 96(W) \* 48(H) \* 95(D)mm  
1 – 96(W) \* 96(H) \* 95(D)mm  
2 – Weather proof Sheet metal box  
3 – Flame proof class IIA IIB without Push Button 2" Pipe Mounted(054 Drawing)  
4 – Flame proof class IIA IIB with Push Button Wall Mounted(061 Drawing)  
5 – Flame proof class IIA IIB without Push Button 2" Pipe Mounted  
6 – Flame proof class IIA IIB Wall Mounted  
7 – Special Enclosure

**Ztech Control Systems,**  
19/4, Dev Industrial Estate,  
B/H. Jyoti Switch Gear, Nr. Gorwa Water Tank,  
Gorwa, Baroda 390016 (Gujarat) INDIA  
Tel : 98240 28511, 93287 02212  
Email : [info@ztechinstruments.net](mailto:info@ztechinstruments.net),  
[ztech.instruments@yahoo.co.in](mailto:ztech.instruments@yahoo.co.in)  
Web : [www.ztechinstruments.net](http://www.ztechinstruments.net)

**Terminal Details:**



**Dimensions Drawing:**



**Ztech Control Systems,**  
 19/4, Dev Industrial Estate,  
 B/H. Jyoti Switch Gear, Nr. Gorwa Water Tank,  
 Gorwa, Baroda 390016 (Gujarat) INDIA  
 Tel : 98240 28511, 93287 02212  
 Email : info@ztechinstruments.net,  
 ztech.instruments@yahoo.co.in  
 Web : www.ztechinstruments.net