

Open channel flow meter (30 points curve)

ZT807

ZT807 OPEN CHANNEL FLOW METER (30 POINTS CURVE)

Introduction

Zt807 Open Channel Flow Totalizer is designed for measuring and recording water flow in open ducts and channels. ZT807 Open Channel Flow Totalizer having Linear input like mA or V correspond to level we can set it into 30 points (Level Vs Flow). The Flow Converter ZT807 is a complete instrument for the measuring of instantaneous flow, Level of source and recording of totalizer water flow. ZT807 Open Channel Flow Totalizer is especially used for measurement and recording of flow in public water supply channel like canal and industrial sewage plants. It is also installed in pumping stations for recording of emergency storm flow, in channels for irrigation system and for measurement in streams and rivers.

Features

Display	: Backlit Graphical LCD Graphical Display 64*128
Input	: 4-20mA,0-10VDC (Level)
High Accuracy	: 0.25% accuracy of FS
Security	: Password Protection for Configuration of Data
Power Supply	: 90 - 260 VAC 50/60Hz,24VDC,12VDC
Ambient Temperature Range	: 0 To 55 °C
Ambient Humidity Range	: 5 To 95 % Rh (Non-Condensing)
Weight	: 500-900 Gram
Enclosure	: ABS Plastic Enclosure
Protection	: IP65
Dimension	: 96mm(W) * 96mm(H)*95mm(D)

Electronics Parameters

Flow rate	: 5 Digit (LPM, m3/Hr, MLD, MGD, CFS , GPM ,LPS)
Flow Totalizer	: 10digit Totalizer (Liter ,M3,Gallon,F3) (power back up Provided by NV RAM)
Level	: 5 Digit (mm, cm, meter, inch ,feet)
Real Time Clock	: Available
Bargraph	: Corresponds to 0-100% Flowrate
Tag Id	: User Configure Id (Numeric)
Indication	: Alarm / Communication Indication

Configuration Functions/Parameters

Configuration Data	: 4 Tactile Membrane Keys for Data Configuration
Flow Totalizer Reset	: Totalizer Reset Facility
Unit	: Field Selectable
Alarm	: Set point, Hysterisis
Zero /Span /Decimal	: Field Configurable
30 Point Curve	: Field Configurable

Output

Retransmission	: 4-20mA (Opto & Galvanic Isolated)
Control Alarm	: Max 2 Relay on Flow Rate
Batch Control Relay	: Max.2 Relay on Level
Communications	: RS 485 / RS232
Compatible with GPRS /GPS	: Yes

Special Function (Optional)

Data Logging	: Internal Data Logging Function
Log Data	: Approx. 15000 Reading (Flow Data)
Data Printing	: External Data Printing Function

Application

Open Channel Flow Measurement
Canal Flow Measurement



Open channel flow meter (30 points curve)

ZT807

Ordering Information

ZT807-XXXXXXXXXX (10 Digit code)

Option 1:Input Signal

0 – 4-20mA
1 – 0-10VDC

Option 2: Power(X)

0 – 90-260VAC(Default)
1 – 24VDC
2 – 12VDC
3 – User Define

Option 3:Digital Output

0 - None
1 - 2 relay
2 - 4 relay

Option 5:Analog Output

0 - None
1 - 4 – 20mAdc isolated
2 - 0-10VDC

Option 6:Communication Output

0 - None
1 – RS485 Modbus RTU
2 – RS232 Modbus RTU
3 – GPRS/GSM Connectivity

Option 7:Extra Function

0 – None
1 – Internal Data Recording Function
2 – Data Printing Function
3 – USB Output
4 – Pulse Output

Option 8:Dimension

0 – 96mm(W) * 96mm(H)*95mm(D) Bezel Dimension
1 – Weather proof Sheet metal box
2 – Flame proof class IIA IIB with Push Button Wall Mounted(057 Drawing)
3 – Special Enclosure

Option 8:Dimension

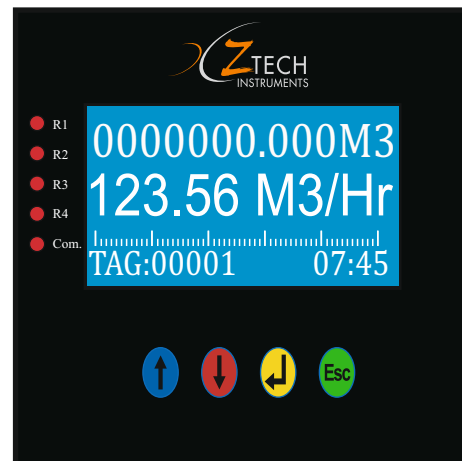
0 – None

Option 9:(X)

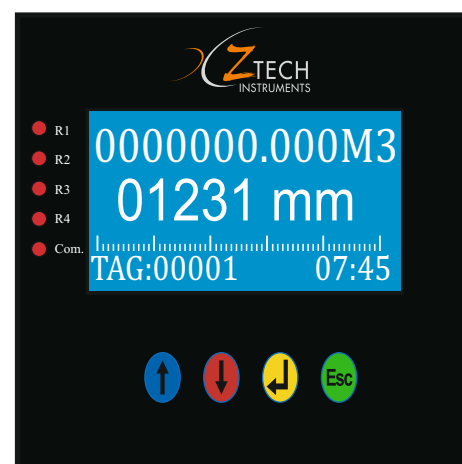
0 – None

Option 10:(X)

0 – None



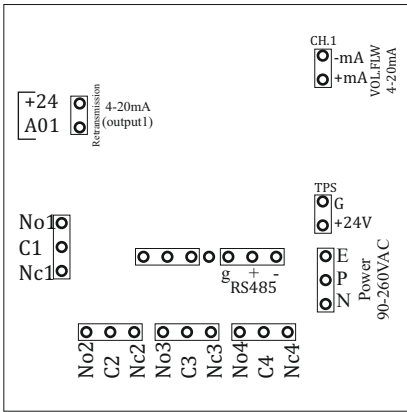
Flow Screen



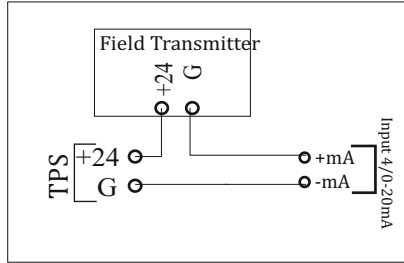
Level Screen

**Open channel flow meter (30 points curve)
ZT807**

Terminal Diagram:

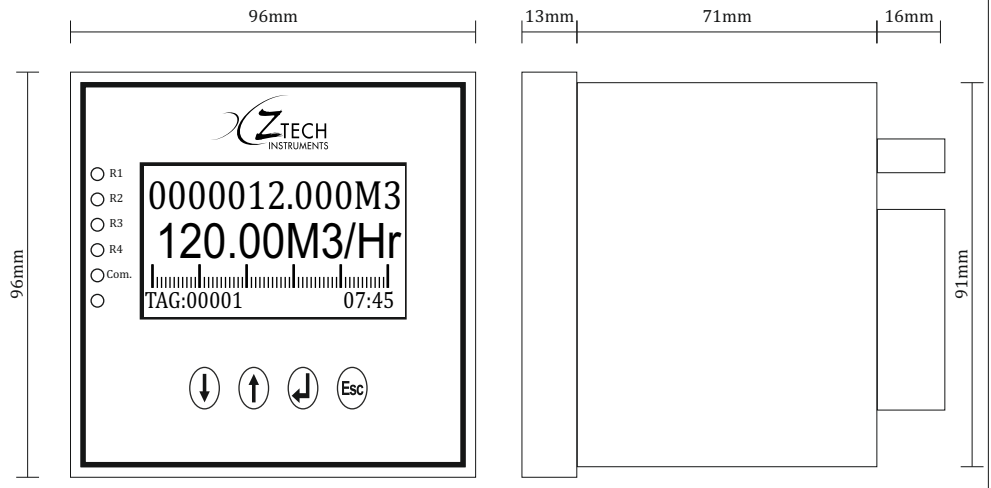


Terminal Diagram: 4-20mA Input Flow Totalizer



Connection Diagram: Two wire transmitter

Dimensions Drawing:



Ztech Control Systems,
 19/4, Dev Industrial Estate,
 B/H. Jyoti Switch Gear, Nr. Gorwa Water Tank,
 Gorwa, Baroda 390016 (Gujarat) INDIA
 Tel : 98240 28511, 93287 02212
 Email : info@ztechinstruments.net,
 ztech.instruments@yahoo.co.in
 Web : www.ztechinstruments.net